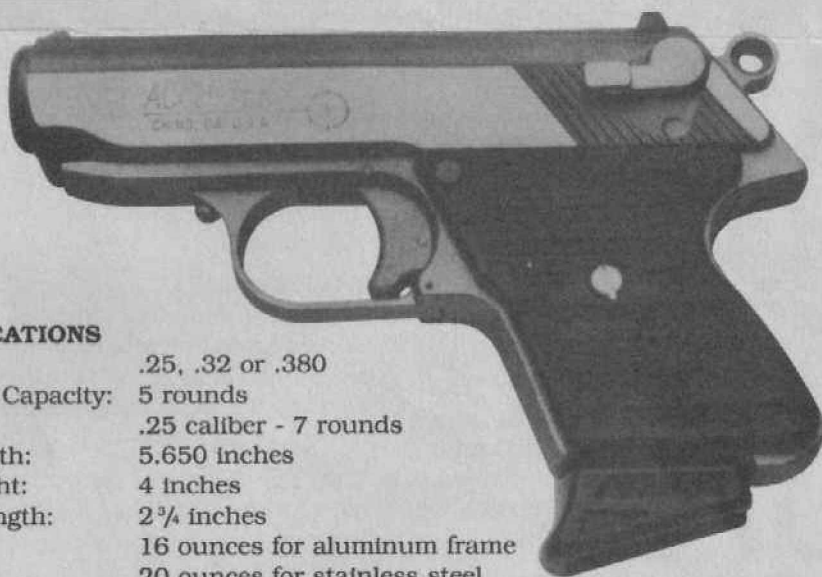


READ THIS MANUAL BEFORE USING THIS FIREARM INSTRUCTION AND SAFETY MANUAL



MODELS AT-25, AT-32, AT-380

This manual should always accompany this firearm and be transferred with it upon change of ownership.



SPECIFICATIONS

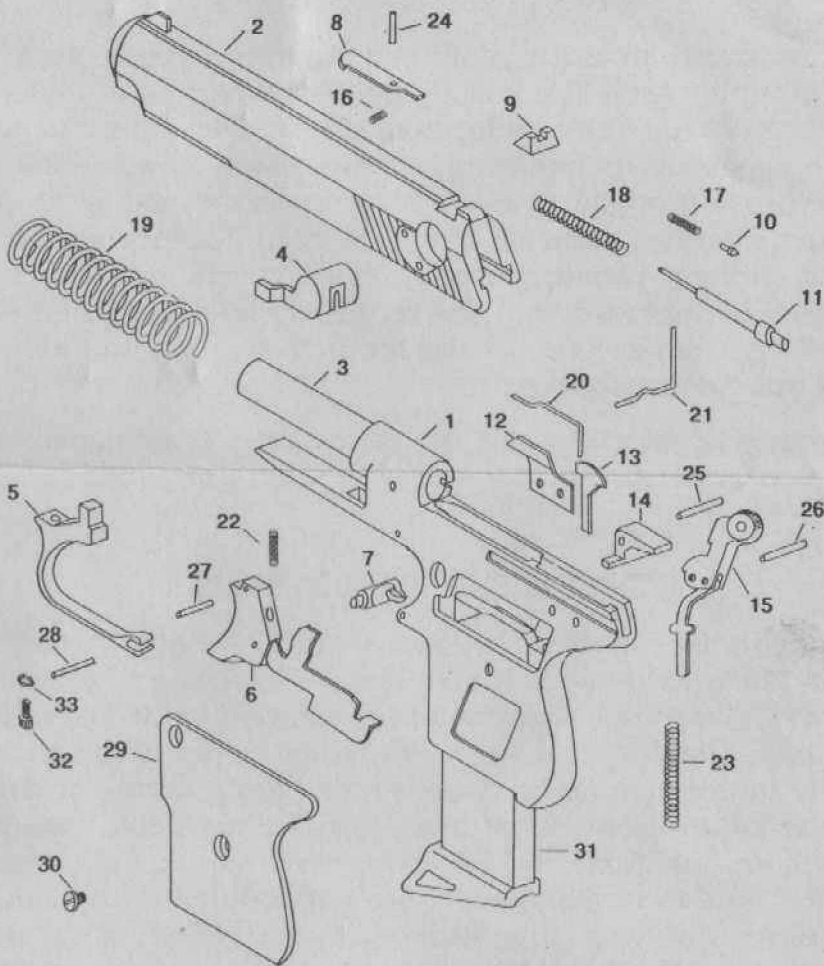
| | |
|--------------------|---|
| Caliber: | .25, .32 or .380 |
| Magazine Capacity: | 5 rounds .25 caliber - 7 rounds |
| O.A. Length: | 5.650 inches |
| O.A. Height: | 4 inches |
| Barrel Length: | 2 $\frac{3}{4}$ inches |
| Weight: | 16 ounces for aluminum frame 20 ounces for stainless steel |

SAFETY AND BASIC RULES

Accu-Tek firearms are designed to prevent accidental discharge with the utmost security; however, handling firearms safely is your own personal responsibility. Neglect to follow basic firearms rules can cause serious injury or death to the handler or others. Read and follow these instructions to ensure safe operation of your firearm.

- Always treat every firearm as if it were loaded.
- Never point a firearm at anything you do not intend to shoot.
- Always be sure of your target and what is beyond your target.
- Never place your finger on the trigger until you are ready to shoot.
- Always keep your firearm pointed in a safe direction.
- Never allow your firearm to be used by anyone who has not read this instruction and safety manual.
- Always wear eye and ear protection when shooting.
- Never carry or store your firearm with the hammer in the cocked position.
- Always store your unloaded firearm and ammunition separately, locked if possible, and inaccessible to children and unauthorized persons.

PARTS ILLUSTRATION AND LIST



| | | | | | |
|----|------|----------------------------------|----|------|---------------------------|
| 1 | 3801 | Frame | 19 | 3809 | .380 Recoil Spring |
| 2 | 3802 | Slide | | 3209 | .32 Recoil Spring |
| 3 | 3806 | .380 Barrel | | 2509 | .25 Recoil Spring |
| | 3206 | .32 Barrel | 20 | 3843 | Magazine Catch Spring |
| | 2506 | .25 Barrel | 21 | 3833 | Sear Spring |
| 4 | 3839 | Manual Safety | 22 | 3815 | Trigger Spring |
| 5 | 3820 | Trigger Guard | 23 | 3811 | .380 .32 Hammer Spring |
| 6 | 3846 | Trigger Assembly | | 2511 | .25 Hammer Spring |
| 7 | 3808 | Magazine Catch Button | 24 | 3835 | Extractor Pin |
| 8 | 3832 | Extractor | 25 | 3822 | Sear Pin |
| 9 | 3818 | Rear Sight | 26 | 3824 | Hammer Pin |
| 10 | 3807 | Safety Plunger | 27 | 3841 | Trigger Pin |
| 11 | 3805 | Firing Pin | 28 | 3844 | Trigger Guard Pin |
| 12 | 3828 | Ejector | 29 | 3819 | Grips |
| 13 | 3836 | Safety Disconnect Rod | 30 | 3825 | Grip Screws |
| 14 | 3827 | Sear | 31 | 3849 | .380 Magazine |
| 15 | 3847 | Hammer and Hammer Strut Assembly | | 3850 | .32 Magazine |
| | | | | 3851 | .25 Magazine |
| 16 | 3813 | Extractor Spring | 32 | 3852 | Trigger Guard Screw |
| 17 | 3814 | Safety Plunger Spring | 33 | 3857 | Trigger Guard Lock Washer |
| 18 | 3812 | Firing Pin Spring | | | |

For current parts price list, send \$2.00 to factory to cover handling charges.

