

# SIGARMS®

## *sig pro™*

### Handling & Safety Instructions

### *SP2022, SP2009, SP2340*



#### **WARNING**

Please read and understand this owner's manual before taking your new SIGARMS pistol out of the box. It is vital to your safety and to the safety of others that you accurately follow the information contained in this manual, as well as the information supplied by the ammunition manufacturer. If you have any questions, please call or write:

SIGARMS Inc.  
18 Industrial Drive, Exeter, NH 03833  
(603) 772-2302

# Contents

# Page

Introduction	3
<b>Safety Information</b>	<b>4 &amp; 5</b>
General Description & Principal Features	6
Ammunition	7
Firearms Handling	8 & 9
Troubleshooting	9
Troubleshooting Guide	10
Field Stripping	11 - 14
Assembly	15
Care of the Pistol	16
Transportation, Storage and Returns	17
Sight Adjustment and Options	18
Parts, Inspection and Maintenance	19
Warranty Statement and Service Policy	20
Specifications	21
Parts Diagram	22
Parts List	23

# Congratulations

You are now the owner of one of the world's finest and most superbly engineered firearms. The SIG SAUER® *sig pro*™ Semiautomatic Pistol has been designed and crafted to meet the stringent requirements of law enforcement agencies and the military. Used with the proper ammunition and given reasonable maintenance, it will serve you dependably for many years.

To make sure you get the best performance and reliability from your pistol, **please read and follow the procedures outlined in this manual.** You'll notice that we place a heavy emphasis on safe firearms handling. Like any other mechanical devices, such as automobiles or power tools, high quality firearms are inherently safe unless they are handled in a careless or irresponsible manner. Always remember that you, the owner, are the ultimate firearms safety device.

**You should become familiar with your pistol and its operation before using any live ammunition or actual shooting. Study the instructions carefully and make sure you understand the pistol's operating guidelines.**

This manual includes information you need to know in order to use your pistol safely and effectively. If you have any questions or comments about this pistol and its use and maintenance, or need more information about other SIGARMS products and accessories, please write or call:

**SIGARMS Inc.**  
**Customer Service Department**  
**18 Industrial Drive**  
**Exeter, NH 03833**  
**Phone: 603-772-2302 Fax: 603-772-9082**

## **California Proposition 65 Warning**

“Discharging firearms in poorly ventilated areas, cleaning firearms, or handling ammunition may result in exposure to lead and other substances known to cause birth defects, reproductive harm, and other serious physical injury. Have adequate ventilation at all times. Wash hands thoroughly after exposure.”

## Safety Information

Before you take your new SIG SAUER pistol out of the box,  
**please read the following information.**  
It is vital to your safety and the safety of others.

### Firearms safety is your responsibility

**PISTOLS are classified as FIREARMS and are sold by us with the specific understanding that we are not responsible in any manner whatsoever for their safe handling or resale under local laws and regulations.** SIGARMS Inc. shall not be responsible in any manner whatsoever for malfunctioning of the firearm, for physical injury or for property damage resulting in whole or in part from (1) criminal or negligent discharge, (2) improper or careless handling, (3) unauthorized modifications, (4) defective, improper, hand-loaded, or reloaded ammunition, (5) corrosion, (6) neglect, or (7) other influences beyond our direct and immediate control. This limitation applies regardless of whether liability is asserted on the basis of contract, negligence or strict liability (including any failure to warn). Under no circumstances shall SIGARMS Inc. be liable for incidental or consequential damages, such as loss of use of property, commercial loss and loss of earnings or profits.

## IMPORTANT

**THE SAFEST PISTOL IS ONE THAT IS FULLY UNLOADED**

### What you should know about all safety mechanisms

NEVER completely trust any safety mechanism. Your pistol is equipped with an effective, well designed safety mechanism.

NO SAFETY MECHANISM, HOWEVER, IS A SUBSTITUTE FOR PROPER GUN HANDLING. Any safety mechanism can break down or malfunction. YOU, AND YOU ALONE, ARE THE ULTIMATE SAFETY MECHANISM.

Remember, there is no such thing as a "childproof" safety or one which can completely prevent accidental discharge from careless or irresponsible use.

The best safety is proper and applied training in safe gun handling.

## The Ten Commandments of Firearms Safety

1. **ALWAYS** treat every gun as if it were loaded.
2. **ALWAYS** keep the gun pointed in a safe direction.
3. **ALWAYS** keep your finger off the trigger until ready to shoot.
4. **ALWAYS** keep the gun unloaded until ready to use.
5. **ALWAYS** be sure the gun is safe to operate and the barrel is clear of any obstruction.
6. **ALWAYS** use the proper, factory-made ammunition for your particular gun.
7. **ALWAYS** know your target and what is beyond it.
8. **ALWAYS** wear ear and eye protection when shooting.
9. **NEVER** use alcohol or drugs before or during handling a gun.
10. **ALWAYS** store guns and ammunition in separate locked containers, so they are secure and not accessible to unauthorized persons.

**BECOME FAMILIAR WITH YOUR PISTOL, UNDERSTAND THE INSTRUCTIONS FULLY BEFORE USING IT.**

## WARNING

Always use the **decocking lever** to decock your SIG SAUER pistol. This is the only way to safely lower the hammer from the cocked position and prevent an accidental discharge. This warning applies to all pistols with decocking levers.

The positive way to safely lower the hammer is by use of the decocking lever. Never lower the hammer by pulling the trigger and attempting to ease the hammer forward manually. Manually lowering the hammer is dangerous and prevents full application of the pistol's safety features.

The decocking lever is the only proper means of lowering the hammer and assuring that the hammer rests in the intercept notch.

Again, **DO NOT THUMB THE HAMMER DOWN**: the consequence can be serious injury or death - **only and ALWAYS use the decocking lever!**

## General Description

The SIG SAUER® *sig pro*™ Semiautomatic Pistol has been designed specifically to meet the stringent requirements of military and law enforcement agencies. Manufactured by advanced state-of-the-art production processes, the SIG SAUER is a mechanically locked, short recoil operated pistol featuring an automatic firing pin safety lock, double-action/single-action trigger, decocking lever and external slide catch lever. Firing takes place with each pull of the trigger until the magazine is empty. The slide stays open after you've fired the last shot.

## Principal Features

We've designed the automatic firing pin lock to provide additional safety with the hammer in either the cocked or decocked position. You can fire the pistol only by pulling the trigger. The double-action feature and the absence of manual safeties make it easier for you to get off a quick first shot. A decocking lever\* allows you to lower the cocked hammer safely into the safety intercept notch without your touching the trigger. While you're doing this, the firing pin remains automatically locked. High-contrast sights help you line up on the target rapidly, even under poor light conditions. Ergonomically designed grip plates, ideal grip angle and comfortable grip dimensions facilitate rapid and accurate shooting. The closed design helps keep dirt, sand and other debris out of the action. The industry-standard accessory rail on the SP2022 facilitates the attachment of commonly available tactical lights & laser aiming systems.

\* does not apply to the Double Action Only pistols. See below.

### What you should know about the decocking lever

The decocking lever on the SIG SAUER pistol is designed for the express purpose of decocking the firearm. The reason it is there is because it is **not safe** practice to decock a pistol by pulling the trigger and attempting to ease the hammer forward manually. To decock your pistol, push down the decocking lever (keep your finger **OFF** the trigger while you do this).

### **IMPORTANT:**

#### **Read this if you own a SIG SAUER Double-Action Only Pistol**

**The DAO differs from the standard pistol in several ways.**

**FIRST**, there's no single-action position for the hammer. It returns to a decocked position after each trigger pull, so it can be fired only in double-action mode. **SECOND**, because it's double-action only, there's only one trigger pull to learn. **THIRD**, because the hammer returns to a decocked position after each shot, there's no need for a decocking lever. In all other respects, the DAO is identical in design and function. In this manual, whenever there's an instruction or information that doesn't apply to the DAO, we'll note it.

## **Ammunition**

Your SIG SAUER pistol will function effectively and safely with a wide variety of commercial and military-standard ammunition. Here are some suggestions that will help you keep your pistol free from ammunition-related problems:

### **WARNING**

**Using the wrong ammunition could result in serious injury or death. Catastrophic damage could occur.**

1. Use only ammunition of the caliber for which your pistol is chambered. The correct caliber is permanently engraved on your pistol.
2. Use only clean, dry, undamaged new factory-manufactured ammunition.
3. Always use ammunition that complies with the performance standards established by the Sporting Arms and Ammunition Manufacturers' Institute, Inc. of the United States (SAAMI).
4. Always inspect your ammunition before use to be certain all cartridges are the correct caliber for your pistol (see 1 above).
5. Keep your cartridges free of oil. Wipe the chamber clean of any oil or preservative before you shoot. Oil in the chamber creates dangerous stresses.

### **WARNING**

**READ ANY WARNINGS OR INSTRUCTIONS THAT COME WITH YOUR AMMUNITION.**

**Always be sure of your target, the area behind your target, and the maximum range of your ammunition.**

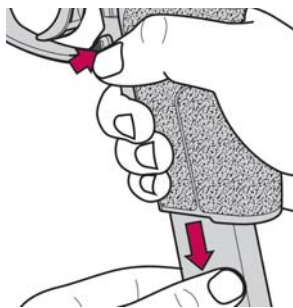
**BE AWARE OF YOUR SURROUNDINGS AT ALL TIMES!  
SERIOUS INJURY OR DEATH CAN OCCUR!**

## Firearms Handling

You have the pistol and ammunition, and you've read and understood all the safety instructions. You know about decocking the pistol by using the decocking lever (which doesn't apply if you have the DAO). Now, you're ready to use the pistol.

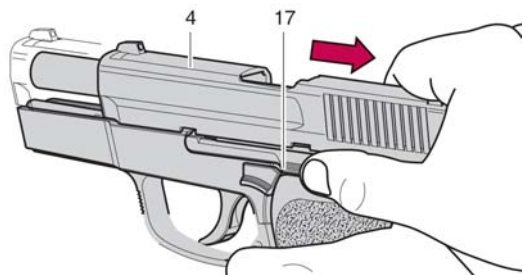
### Removing the magazine

Remove the magazine by pressing the magazine catch.



### Retracting the slide

Draw back the slide (4), and engage it by pushing up the slide catch lever (17).



### Loading the magazine

1. Press down on the magazine follower with the cartridge case rim.
2. Push the cartridge to the rear and under the magazine lips.
3. Continue until the magazine holds the desired number of cartridges.

### Loading the pistol

1. Insert a loaded magazine and make sure it has engaged the magazine catch.
2. Push down the slide catch lever with your thumb, or draw back the slide as far as it will go and release, allowing the slide to snap forward into battery. This cocks the hammer (on DAO models, the hammer will be in the down position) and chambers a round.
3. Push down the decocking lever\* with your thumb. The pistol is now loaded, safe and ready to fire in double-action mode. **Keep your finger off the trigger while you do this.**

### Reloading during shooting

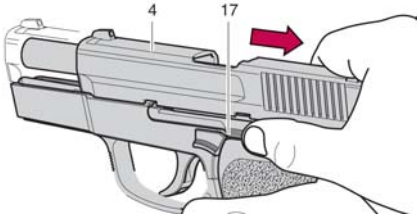
When the magazine is empty, the slide catch lever holds the slide open. Press the magazine catch to remove the empty magazine and insert a loaded one. Push down the slide catch lever with the thumb of the shooting hand, or draw back and release the slide allowing it to snap forward. The pistol is again loaded and ready to fire in the single-action mode\*.

\* Not valid for the DAO. See page 7 of this manual.



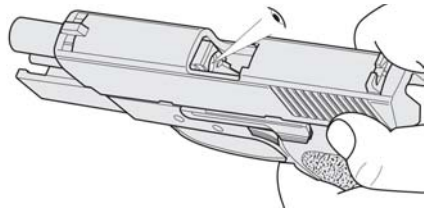
## Unloading the pistol

Point the pistol in a safe direction, **keep your finger off the trigger** and remove the magazine. Pull back the slide (4) and lock it with the slide catch lever (17).



Make sure the last round in the chamber has been extracted and ejected. Visually and physically check the chamber and the magazine well to make sure the pistol has been unloaded.

Release the slide on an empty chamber. Depress the decocking lever\*. The pistol is now unloaded, decocked and safe.



## Troubleshooting

Firearms work reliably if properly maintained. If there is a malfunction during firing, here's what to do:

1. Keep the pistol pointed in a safe direction with your finger off the trigger.
2. Remove and secure the magazine.
3. Move the slide rearward and forward to clear any cartridge case in or near the chamber.
4. If you suspect that a bullet is lodged in the bore, field strip your pistol and check to see if the barrel is blocked. If there is a bullet lodged in the bore, return the pistol to SIGARMS Inc. See instructions on page 17.

### Follow the above procedures if:

- ♦ You notice that a cartridge is difficult to chamber, **or**
- ♦ A cartridge does not go off, **or**
- ♦ The mechanism fails to extract a fired cartridge case, **or**
- ♦ You discover unburned grains of propellant powder spilled in the mechanism, **or**
- ♦ A shot sounds or feels weak or abnormal.

## WARNING

**IF A BULLET IS IN THE BORE, DO NOT ATTEMPT TO SHOOT IT OUT BY USING ANOTHER CARTRIDGE, OR BY BLOWING IT OUT WITH A BLANK OR A CARTRIDGE FROM WHICH THE BULLET HAS BEEN REMOVED. THIS CAN GENERATE EXCESSIVE PRESSURE, DAMAGE THE FIREARM AND CAUSE SERIOUS PERSONAL INJURY OR DEATH.**

# Troubleshooting Guide

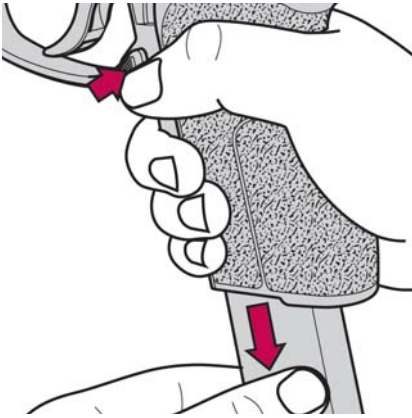
<b>Malfunction</b>	<b>Cause</b>	<b>Correction</b>
<b>Feed:</b> No round fed into the chamber	Magazine not properly inserted or magazine is deformed or dirty	Insert magazine properly or change magazine
Slide does not close easily or completely	Pistol or cartridge is fouled (dirty) or pistol is too heavily lubricated	Clean and lubricate pistol and /or replace the ammunition
	Pistol requires service	Return to SIGARMS
<b>Extraction/Ejection:</b> After firing, the case stays in the chamber or is jammed in the ejection port	Insufficient recoil due to dirt	Clean and lubricate the pistol
	Light hold or limp wrist	Solid grip, rigid hold
	Low powered ammunition	Change ammunition
	Pistol requires service	Return to SIGARMS
<b>Ignition:</b> Hammer drops but round does not fire	Firing pin obstructed	Inspect, clean and lubricate the pistol
	Faulty ammunition	Manually cycle in next round
	Pistol requires service	Return to SIGARMS

## Field Stripping

Before you take the pistol apart, **make sure it's unloaded.**

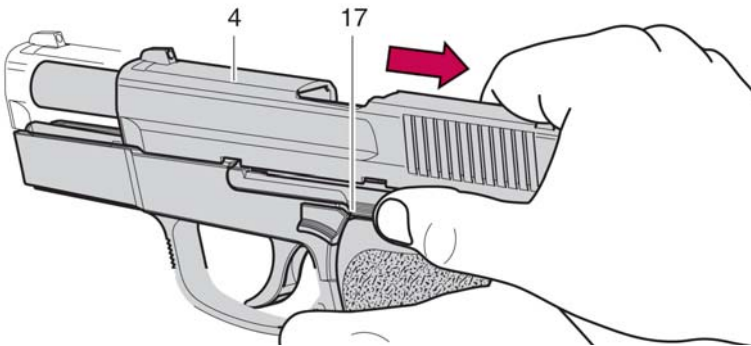
This is **essential** for your safety and the safety of others.

**Field strip the pistol as follows:**



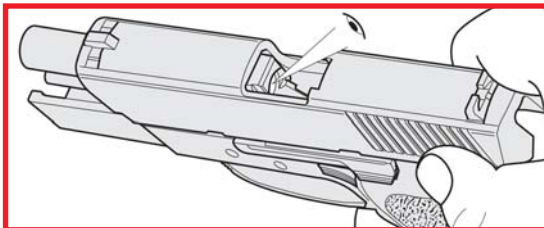
**Figure A**

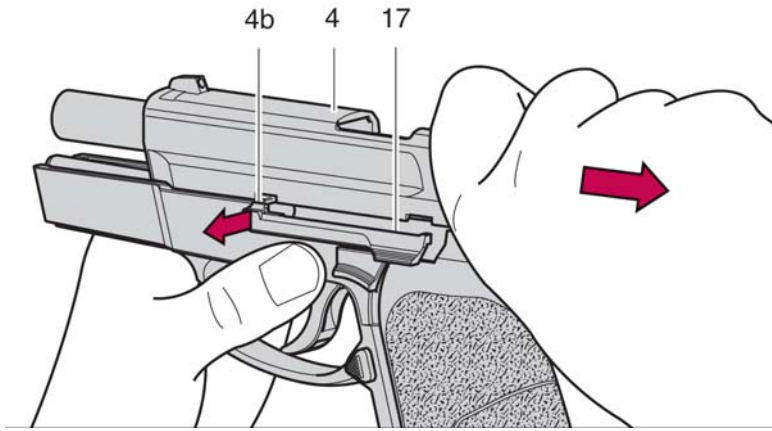
- ◆ Press the magazine catch.
- ◆ Remove the magazine.



**Figure B**

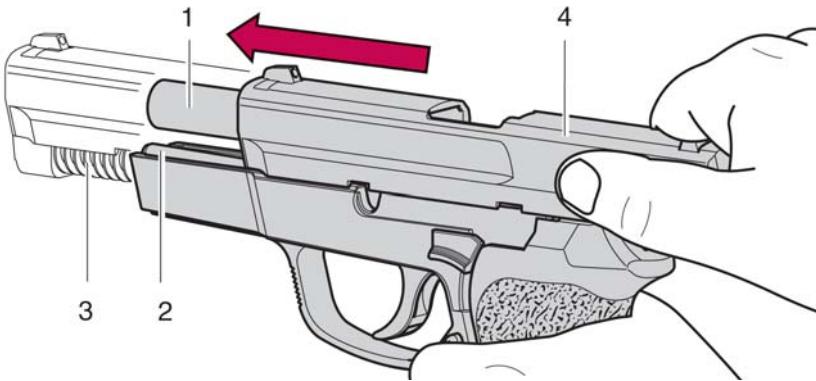
- ◆ Pull back the slide (4) as far as it will go and hold it in the open position by pushing up the slide catch lever (17) with your thumb.
- ◆ Check carefully to ensure that the chamber is empty and the magazine well is clear (see below).





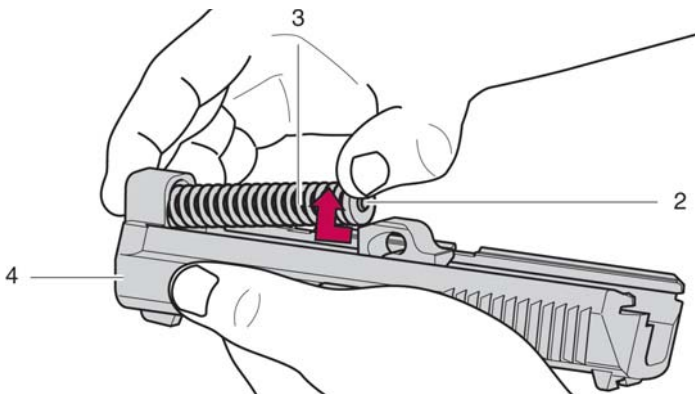
**Figure C**

- ◆ Take frame and slide in your right hand.
- ◆ Pull slide (4) back slightly to release slide catch lever (17).
- ◆ Allow slide to move forward slightly (about 1/8") until the slide recess notch lines up with the tab on the slide catch lever (4b).
- ◆ Using your left hand, press on the slide catch lever shaft from the right side of the pistol and remove the slide catch lever from the left side of the pistol.



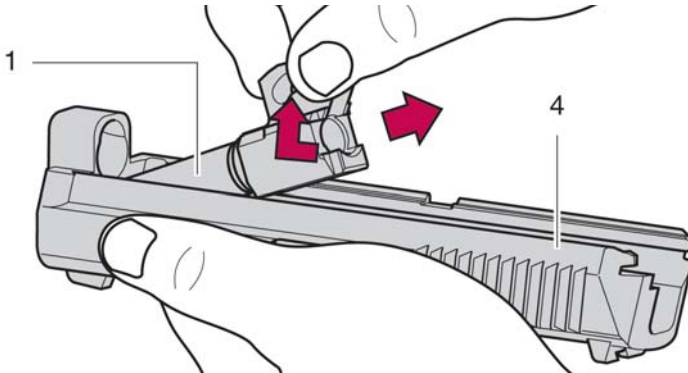
**Figure D**

- ◆ Hold the slide firmly and allow it to move forward slowly.
- ◆ Now slip the complete assembly, comprising slide (4), barrel (1), recoil spring (3) and guide (2), forward and off the frame.

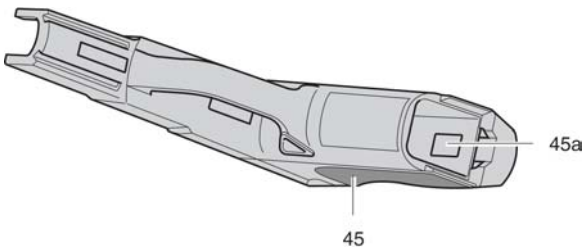


**Figure E**

- ◆ Push the recoil spring guide (2) carefully forward and to one side or lift off and remove recoil spring (3) and recoil spring guide (2) from slide (4).  
**Recoil spring is under tension - use care to control spring during removal!**



**Figure F** ◆ Remove the barrel (1) from the slide (4).

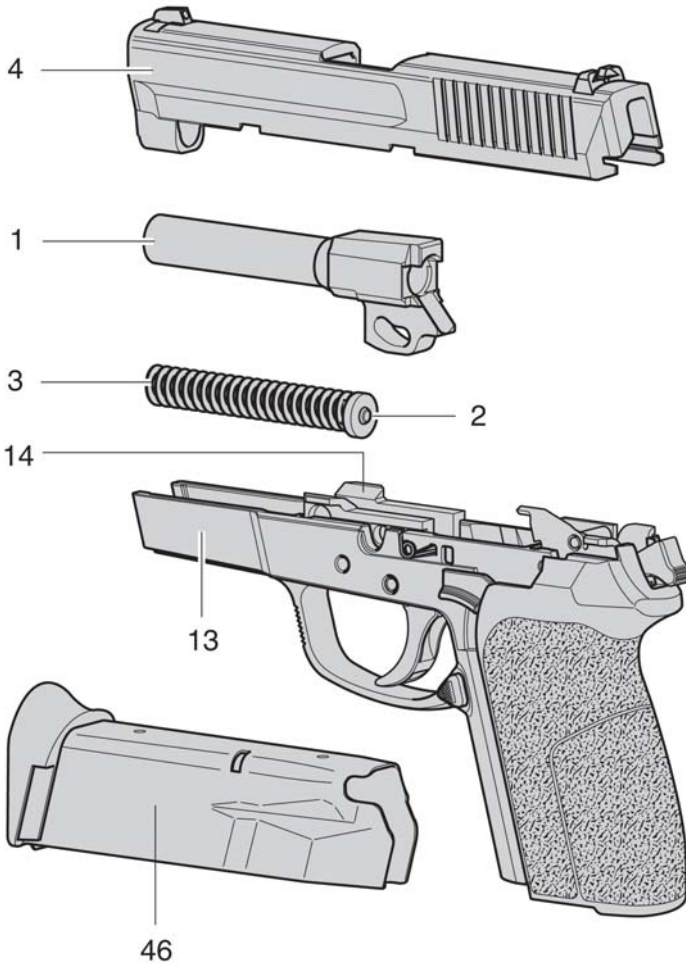


**Figure G**

- ◆ Grip removal - press retaining lug (45a) to remove grip plate (45).
- ◆ The grip plate should only be removed if weapon is extremely dirty (water, sand, mud, etc) or if changing between grip sizes.

## User Disassembly (Field Stripping)

The field stripped pistol is shown in **Figure H** below. This level of disassembly is quite sufficient to allow for cleaning & lubrication after shooting. Further disassembly should only be done by qualified gunsmiths and armorers.



**Figure H**

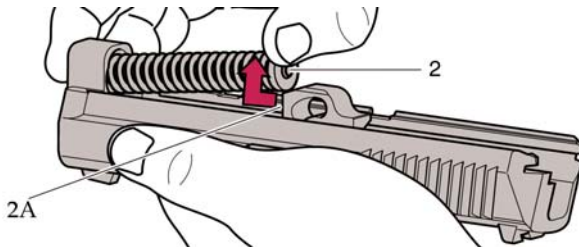
### **WARNING**

**DO NOT ATTEMPT TO DISASSEMBLE YOUR PISTOL BEYOND THE POINT EXPLAINED IN THIS MANUAL.**

## Assembling the pistol

To reassemble the pistol after cleaning, simply reverse the disassembly steps.

- ◆ Check that there is no foreign matter inside the pistol.
- ◆ Push the grip plate back on frame from below until the grip plate retaining notch snaps into place.
- ◆ With the slide upside down (sights down), place the barrel (1) in the slide (4).
- ◆ Place the recoil spring (3) back on the recoil spring guide (2).
- ◆ Insert recoil spring & guide assembly into slide. Ensure the button on the flat end of the recoil spring guide (2) is seated in the retaining hole on the face of the barrel control cam (2A).



**When recoil spring is inserted into slide, it becomes preloaded. Use caution to prevent the recoil spring & guide from flying out uncontrolled, causing injury.**

- ◆ Guide the assembled slide onto the frame. The front and rear of the slide will be aligned with the front and rear of the frame.
- ◆ Push the slide catch lever (17) through the frame horizontally from the left until the slide catch lever tab rests against the slide.
- ◆ Hold the frame with the right hand. Pull the slide (4) back with the left hand until the slide recess (4b) coincides with the slide catch lever tab. Press the slide catch lever into position until it audibly clicks home (Fig. I).
- ◆ Follow the slide forward with the left hand.
- ◆ Thumb down decocking lever (38). (Not applicable for DAO pistols.)

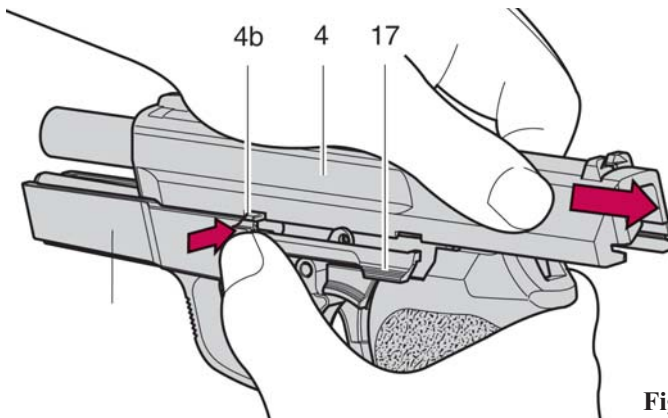


Figure I

## Caring for your Pistol

### **WARNING**

**BEFORE PERFORMING ANY CLEANING OR MAINTENANCE, MAKE SURE THE PISTOL IS COMPLETELY UNLOADED. THIS INCLUDES THE MAGAZINE AND CHAMBER.**

Follow these instructions and your SIG SAUER pistol will remain in excellent condition even after years of hard service.

NOTE: Your SIG SAUER pistol comes from the factory with a light coating of protective grease and oils. **Before you fire the pistol**, you should disassemble, clean and lubricate it as recommended on this page.

### **WARNING**

**BEFORE PERFORMING ANY DISASSEMBLY, MAKE SURE YOU ARE WEARING EYE PROTECTION**

#### **Barrel and chamber:**

Clean the barrel and the chamber from the rear with a quality cleaning solvent, using a cleaning rod and brush of the correct caliber. Never clean the barrel from the muzzle end. Wipe the interior and exterior of the barrel free of all residue. **Lightly** lubricate the barrel, inside and out, with a quality lubricant designed for firearms.

#### **Breech face and locking insert:**

Use a small nylon bristle brush to thoroughly clean these areas.

#### **External metal surfaces:**

After each use, wipe all metal surfaces with a cloth lightly soaked with a lubricant preservative. This will remove any foreign material and preserve the finish of the pistol. Lightly lubricate the recoil spring (3), recoil spring guide (2) and frame rails before reassembling the pistol.

**NOTE:** Some cleaning solvents may be harmful to the finish of your pistol. Read the solvent manufacturer's product use instructions and warning labels before using.

### **IMPORTANT**

It is your responsibility to maintain your pistol.

If rust appears in the bore, the barrel should be replaced.

**PRIOR TO SHOOTING MAKE SURE THE BORE IS DRY.**



# Transport and Storage

When transporting your pistol, keep it unloaded for your safety and for the safety of others. Know and comply with all laws governing the transport of firearms in your locality. When storing your pistol, keep it unloaded and separated from ammunition, under lock and key and out of the reach of children and other inexperienced or unauthorized persons.

## Returning your Firearm

When you return a pistol to the SIGARMS Inc. Service Department, here's what to do:

1. The first step is to contact Customer Service at (603) 772-2302 for an RMA number. This number allows SIGARMS to track the status of your return from it's receipt at SIGARMS through it's return to you. Please don't send your firearm until you obtain an RMA number.
2. Make sure that the chamber and magazine(s) are unloaded and that no ammunition is included with your returned firearm.
3. Package the firearm securely to prevent damage. Enclose a letter which includes your name, street address, daytime phone number, pistol model and serial number, and a detailed description of the problem you have experienced or the work you want performed. With the exception of extra magazines, do not include cases, scopes, mounts or other accessories.
4. Generally, an individual may ship firearms to the manufacturer for repair or service. Some states and localities, however, prohibit this. If you live in such an area, the firearms must be shipped by and returned to a Federally Licensed Firearms Dealer.
5. Federal law prohibits persons who do not possess a Federal Firearms License from shipping a handgun via the U.S. Postal Service. (Note: Any shipment of firearms outside of the USA borders is subject to the valid law of the specific country, which you must strictly follow.)
6. SIGARMS is not responsible for any firearm until it is received, nor for damage incurred during shipment.
7. **Ship your firearms insured and prepaid (we don't accept collect shipments) to:**

**SIGARMS Inc.**  
**Attention: Service Department**  
**18 Industrial Drive**  
**Exeter, NH 03833**  
**USA**

# Sights

The SIG SAUER pistol is equipped with drift adjustable fixed sights which have proven their worth under severe conditions. The sights consist of a rear sight and a front sight blade, designed and dimensioned to ensure rapid target acquisition even when visibility is poor. You can adjust the sights as follows:

**Windage (left/right):** Change windage by moving the rear sight either to the left or right in its dovetail. When you do this, follow the rear sight rule: **Move the rear sight in the direction you want the group to go.** Moving the rear sight 0.020" in the dovetail changes the point of impact by approximately 3" at 25 yards. (**Note:** SIGARMS has available a Sight Adjustment Tool which makes it easier to adjust and change sights.)

**Elevation (up/down):** There are different height combinations available for the front and rear sights. The sights are numbered according to their height. You can change elevation by changing either the rear or front sight. It's easier if you change the rear sight first. Each rear sight change will move the impact of the bullet approximately 2" at 25 yards. Each front sight change will move the impact of the bullet approximately 1" at 25 yards.

When changing sights, remember this rule: **NUMBERS UP, GROUPS UP; NUMBERS DOWN, GROUPS DOWN.** This is true for both front & rear sights.

## Sight Options

Front Sight		Rear Sight	
Number	Height	Number	Height
05	6.01 mm / .235"	05	5.52 mm / .22"
06	5.88 mm / .230"	06	5.80 mm / .23"
07	5.74 mm / .225"	07	6.07 mm / .24"
08	5.60 mm / .22"	08	6.35 mm / .25"
09	5.46 mm / .215"	09	6.62 mm / .26"
		10	6.90 mm / .27"

## Parts

Before you order any parts, please be advised that while most gunsmiths and armorers are perfectly capable of repairing your firearm, we can't vouch for any individual's skill or workmanship. Remember, unauthorized adjustments or parts replacement can void your service policy. Your SIG SAUER pistol is a precision instrument and some replacement parts may require a trained gunsmith or armorer to ensure proper operation. Don't take chances; if your firearm ever needs service, simply return it to SIGARMS Inc. (see page 17). Remember to always specify the **MODEL**, **CALIBER** and **SERIAL NUMBER** of your pistol when ordering parts.

If you order a part without returning the pistol to SIGARMS Inc., **you** are responsible for ensuring that the part supplied is correct for your particular pistol and that it is properly installed and fitted by a qualified gunsmith or armorer.

**SIGARMS Inc. CANNOT BE RESPONSIBLE FOR THE FUNCTIONING OF ANY FIREARM WHICH HAS BEEN ALTERED FROM FACTORY SPECIFICATIONS**

## Inspection and Maintenance

Even the best of pistols, like fine automobiles, require periodic maintenance and inspection. This may reveal a need for adjustment or repair. Even if your pistol seems to be working well, don't take chances... have it checked annually by a qualified gunsmith or armorer.

If you notice any mechanical malfunction, **STOP** using the firearm. **UNLOAD** it and take it to a qualified gunsmith or armorer immediately for a thorough examination. Similarly, if water, sand, or other debris enters the mechanism, field strip the pistol immediately and thoroughly clean it. Failure to keep your pistol cleaned, lubricated and in proper working order could lead to serious bodily injury, death, or property damage.

### **WARNING**

**DO NOT ATTEMPT TO DISASSEMBLE YOUR PISTOL BEYOND THE POINT EXPLAINED IN THIS MANUAL. THIS SHOULD BE DONE ONLY AT THE FACTORY.**

Some of the components are installed under great spring pressure requiring special tools and fixtures for disassembly.

## Warranty Statement

Based on Magnuson-Moss Warranty Act, SIGARMS Inc. offers no express warranty on their product line. However, SIGARMS Inc. recognizes its obligations concerning service to owners of SIGARMS products. SIGARMS Inc. stands behind its products and will continue to provide service to their product line as they have over the years. SIGARMS Inc. products will be serviced for a period of one year from date of retail purchase, for defects in materials or workmanship, at no charge to the purchaser. Be sure to retain your sales slip as proof of purchase date when making a claim.

**This instruction manual should always accompany this pistol and be transferred with it upon change of ownership.**

### Service Policy

If you have questions concerning the performance or servicing of your pistol, please write or call:

**SIGARMS Inc.**  
**Attention: Service Department**  
**18 Industrial Drive**  
**Exeter, NH 03833 USA**  
**Phone: 603 772-2302 Fax: 603 772-9082**

**IF YOU DO NOT UNDERSTAND THE INSTRUCTIONS FOR OPERATING YOUR PISTOL, IT IS YOUR RESPONSIBILITY TO CALL OUR SERVICE DEPARTMENT: Phone # 603 772-2302 BEFORE USING YOUR FIREARM.**

## WARNING

**DO NOT ATTEMPT TO OPERATE YOUR FIREARM UNTIL YOU HAVE READ AND CLEARLY UNDERSTAND THE INSTRUCTIONS CONTAINED IN YOUR PISTOL'S OWNERS MANUAL. THE SAFETY OF YOURSELF AND THOSE AROUND YOU IS ULTIMATELY YOUR RESPONSIBILITY.**

# Specifications - *sig pro* SP2022, SP2009 & SP2340

## Mechanically-Locked, Recoil-Operated, Semiautomatic Pistol

**Trigger:** Double-Action/Single-Action or Double-Action Only

- 4 Point Safety System:**
1. Patented automatic firing-pin lock
  2. Decocking Lever (DA/SA Only)
  3. Safety Intercept Notch
  4. Disconnecter

	<b>SP2022 &amp; SP2009</b>	<b>SP2022 &amp; SP2340</b>	<b>SP2022 &amp; SP2340</b>
Caliber	9mm Luger	.357 SIG	.40 S&W
Length, overall	7.36"	7.36"	7.36"
Height, overall	5.67"	5.67"	5.67"
Width, overall	1.34"	1.34"	1.34"
Barrel length	3.86"	3.86"	3.86"
Rifling twist	1 in 10"	1 in 16"	1 in 15"
Rifling grooves	6	6	6
Sight radius	5.9"	5.9"	5.9"
Weight, w/o magazine	25.2 oz.	27.2 oz.	27.2 oz.
Weight, empty magazine	3.0 oz.	3.0 oz.	3.0 oz.
Trigger pull weight	DA 10 lbs., SA 4.5 lbs.	DA 10 lbs., SA 4.5 lbs.	DA 10 lbs., SA 4.5 lbs.
Magazine capacity	15 rounds*	12 rounds*	12 rounds*

All weights and dimensions are approximate

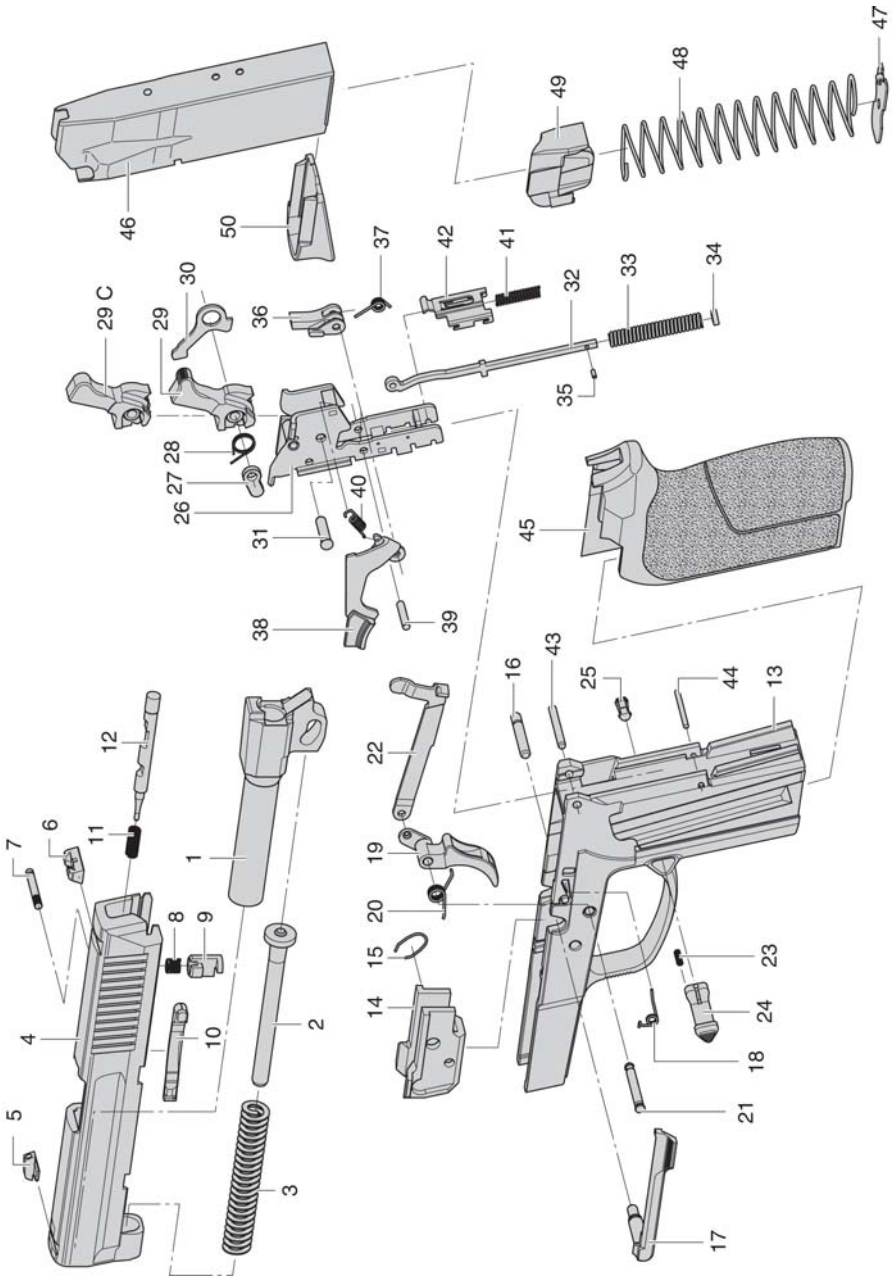
Specifications subject to change without notice

**The .357 SIG and the .40 S&W barrels can be interchanged on the SP2022 / SP2340 and the same magazine can be used for .357 SIG or .40 S&W cartridges.**

**The 9mm barrel and magazine for the SP2022 / SP2009 are not interchangeable with the .357 SIG or .40 S&W barrels and magazines for the SP2022 / SP2340.**

\*10 round magazines are available for areas that limit the possession of high capacity ammunition feeding devices to law enforcement personnel.

# sig pro Parts Diagram



# sig pro Parts List

For the accompanying figure to the list, see page 22.

- Essential information when ordering spare parts
- Pistol model (caliber, designation)
- Pistol serial number
- Item number and index
- Part designation

Index explanation

- C = DAO
- \* = not for DAO

**Never install a standard hammer 29 in a DAO pistol!**

Item	Designation	Item	Designation	Item	Designation
1	Barrel	17	Slide catch lever	34	Hammer strut bushing
2	Recoil spring guide	18	Slide catch lever spring	35	Hammer strut pin
3	Recoil spring	19	Trigger	36	Sear
4	Slide	20	Trigger spring	37	Sear spring
5	Front sight 05/06/07/08/09	21	Trigger pivot	38 *	Decocking lever
6	Rear sight 05/06/07/08/09/10	22	Trigger bar	39	Pivot, sear and decocking pin
7	Firing pin retaining pin	23	Magazine catch spring	40 *	Decocking lever spring
8	Safety lock spring	24	Magazine catch	41	Pusher spring
9	Safety lock	25	Magazine catch lock	42 *	Trigger bar pusher
10	Extractor	26	Hammer Box	43	Upper action casing pin
11	Firing pin spring	27	Drive lever	44	Lower action casing pin
12	Firing pin	28	Reset spring	45	Grip plate
13	Frame	29, 29 C	Hammer	46	Magazine tube
14	Locking insert	30	Safety lever	47	Floorplate insert
15	Axial locking spring	31	Hammer pivot pin	48	Magazine spring
16	Locking insert pivot	32	Hammer strut	49	Feeder
		33	Main spring	50	Magazine floorplate

**NOTE:** Items 27-40 are integral to Part 26 (Hammer Box) and are not available individually.

*Be aware of those around you.  
If their actions are not in keeping with  
safe gun handling procedures,  
TELL THEM.*

**IMPORTANT**

**Do not discard. Keep this manual with your firearm. Upon  
change of ownership, transfer this manual  
with the firearm.**

**SIGARMS®**

*SIGARMS Inc.  
18 Industrial Drive  
Exeter, NH 03833  
(603) 772-2302  
[www.sigarms.com](http://www.sigarms.com)*

SIG SAUER®, SIG®, *sig pro*™ and SIGLITE®  
are registered trademarks of SIGARMS Inc.  
All specifications are subject to change without notice.