

# OPERATIONS MANUAL FOR VEPR™ II RIFLES



**ROBINSON  
ARMAMENT CO.  
PO BOX 16776  
SALT LAKE CITY, UT 84116  
url: [www.robarm.com](http://www.robarm.com)**

# **WARNING!!!**

**READ THIS OPERATION MANUAL CAREFULLY AND RECEIVE FIREARMS SAFETY TRAINING FROM A COMPETENT INSTRUCTOR BEFORE HANDLING OR OPERATING THIS FIREARM. THIS OPERATION MANUAL CONTAINS IMPORTANT WARNINGS WHICH MUST BE UNDERSTOOD AND FOLLOWED BY ANYONE HANDLING OR OPERATING THIS FIREARM.**

**IMPROPER HANDLING OR OPERATING OF ANY FIREARM MAY RESULT IN SERIOUS BODILY INJURY, DEATH, OR DESTRUCTION OF PROPERTY. NEITHER THE MANUFACTURER, IMPORTER, NOR THE DISTRIBUTOR SHALL BE LIABLE FOR ANY INJURY TO PERSONS OR ANY DAMAGE TO PROPERTY RESULTING FROM THE USE OF THIS FIREARM.**

**THIS OPERATION MANUAL SHOULD ACCOMPANY THE FIREARM AT ALL TIMES AND SHOULD BE TRANSFERRED WITH POSSESSION OF THE FIREARM TO ANY SUBSEQUENT OWNER OR OPERATOR.**

**ALWAYS REMEMBER TO KEEP FIREARMS AND AMMUNITION LOCKED UP AND OUT OF THE REACH OF CHILDREN AND OTHER UNAUTHORIZED INDIVIDUALS. SAFETY IS YOUR RESPONSIBILITY!!!**

**Copyright 2000 Robinson Armament Co.  
All Rights Reserved**

# TABLE OF CONTENTS

<b>SECTION I</b>	<b>FIREARM SAFETY RULES</b>	<b>4</b>
<b>SECTION II</b>	<b>TERMINOLOGY</b>	<b>5</b>
<b>SECTION III</b>	<b>DESCRIPTION OF THE VEPR'S ACTION</b>	<b>6</b>
<b>SECTION IV</b>	<b>LOADING THE VEPR</b>	<b>9</b>
<b>SECTION V</b>	<b>AIMING THE VEPR</b>	<b>12</b>
<b>SECTION VI</b>	<b>FIRING THE VEPR</b>	<b>13</b>
<b>SECTION VII</b>	<b>UNLOADING THE VEPR</b>	<b>15</b>
<b>SECTION VIII</b>	<b>DISASSEMBLY PROCEDURES</b>	<b>17</b>
<b>SECTION IX</b>	<b>ASSEMBLY PROCEDURES</b>	<b>20</b>
<b>SECTION X</b>	<b>CLEANING AND LUBRICATION</b>	<b>22</b>
<b>SECTION XI</b>	<b>ATTACHING THE SCOPE MOUNT</b>	<b>23</b>
<b>SECTION XII</b>	<b>CHILD SAFETY LOCK</b>	<b>24</b>
<b>SECTION XIII</b>	<b>MODIFICATIONS</b>	<b>25</b>
<b>SECTION XIV</b>	<b>SPECIFICATIONS</b>	<b>26</b>

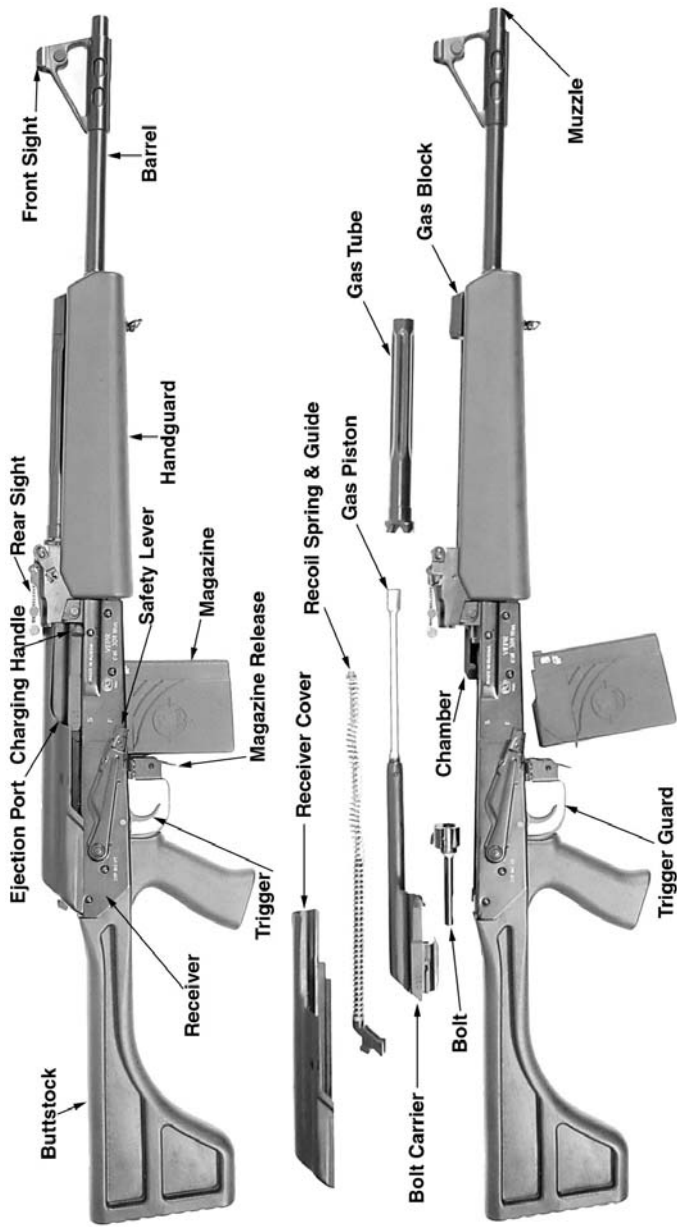
## SECTION I - FIREARM SAFETY RULES

**WARNING!!! THESE SAFETY RULES ARE OF A GENERAL NATURE ONLY. THEY ARE NOT INTENDED TO BE EXHAUSTIVE NOR ARE THEY INTENDED TO BE A SUBSTITUTE FOR PROPER FIREARMS TRAINING FROM A COMPETENT FIREARMS INSTRUCTOR.**

1. **Always keep the firearm pointed in a safe direction.** Firearms must be treated as if always loaded and always firing a steady stream of bullets. Do not point the muzzle of the firearm at any thing you do not intend to kill or destroy.
2. **Never place your finger on the trigger until you are ready to fire.** Before placing your finger on the trigger, make sure that you have first assumed a stable shooting position and have your intended target clearly within your sights.
3. **Clearly identify your target and backstop before you pull the trigger.** Rifle cartridges are very powerful and have a lethal range of many miles. They can often penetrate hard objects such as walls and metal. Before you pull the trigger, it is vital that you clearly identify your target and have a backstop behind the target capable of stopping rifle bullets. Do not fire at hard objects or at water which can cause bullets to ricochet and hit unintended objects.
4. **Always wear adequate eye and hearing protection while shooting.** Firearms, upon discharge, are extremely loud, and violently eject spent cases, hot gasses and particles. Operators and bystanders must wear adequate eye and hearing protection at all times when a firearm is being discharged to prevent permanent vision and hearing loss.
5. **Always store your firearms unloaded, locked up, and out of the reach of children and other unauthorized individuals.** Be sure to keep your firearms locked in a secure place when not in use. It is your responsibility to make sure that children and other unauthorized individuals do not have access to your firearms.

## SECTION II – TERMINOLOGY

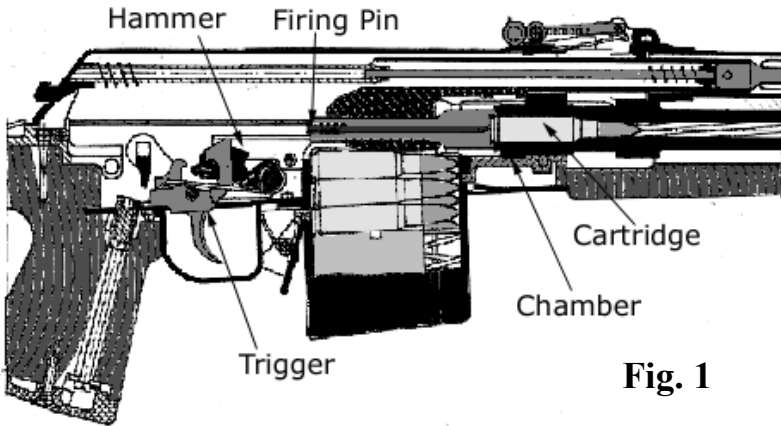
TAKE TIME TO THOROUGHLY FAMILIARIZE YOURSELF WITH THE TERMS IN THIS SECTION DESCRIBING THE FEATURES AND COMPONENTS OF THE VEPR AS THEY WILL BE REFERRED TO THROUGHOUT THIS MANUAL.



### SECTION III - DESCRIPTION OF THE VEPR'S ACTION

The VEPR is a gas operated semiautomatic sporting rifle. The VEPR's action is based on that of the *Automat Kalashnikov* designed by Mikhail Kalashnikov in the former Soviet Union shortly after WWII. The operating cycle of this semi-automatic action is briefly described below.

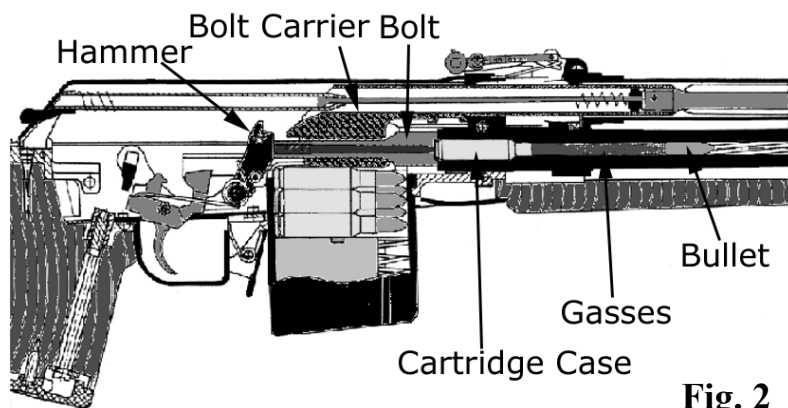
To begin the description of the operating cycle, it is assumed that the following operations have been performed: A loaded *magazine* has been inserted into the firearm. And a *cartridge* has been manually cycled into the *chamber*. The *hammer* is held in the cocked position by the *trigger* (See Fig.1).



**Fig. 1**

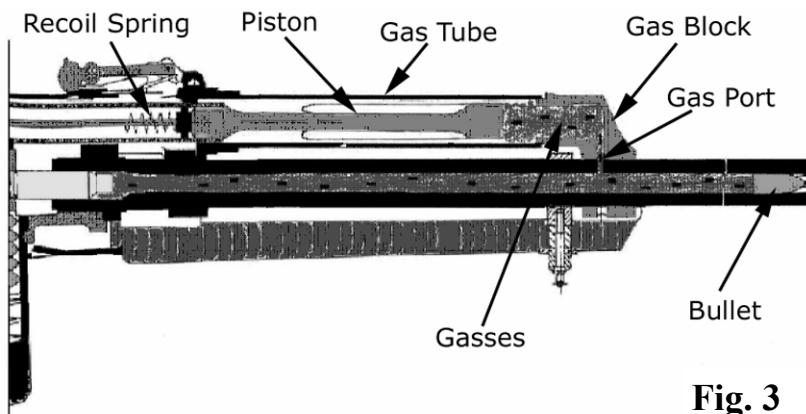
As the *trigger* is pulled, the *hammer* is released from engagement with the *trigger*. The *hammer*, under the force of its spring, rotates forward and upward into contact with the *firing pin* which is contained in the *bolt* which is itself contained in the *bolt carrier* (See Fig. 2). As the *hammer* strikes the end of the *firing pin*, the tip of the *firing pin* is forced to strike the primer of the *cartridge* causing it to ignite. The ignited primer causes the powder within the *cartridge case* to burn. The burning powder creates *gasses* that expand under very

high pressure to force the *bullet* out of the *cartridge case* and down the bore of the *barrel* (See Fig.2).



**Fig. 2**

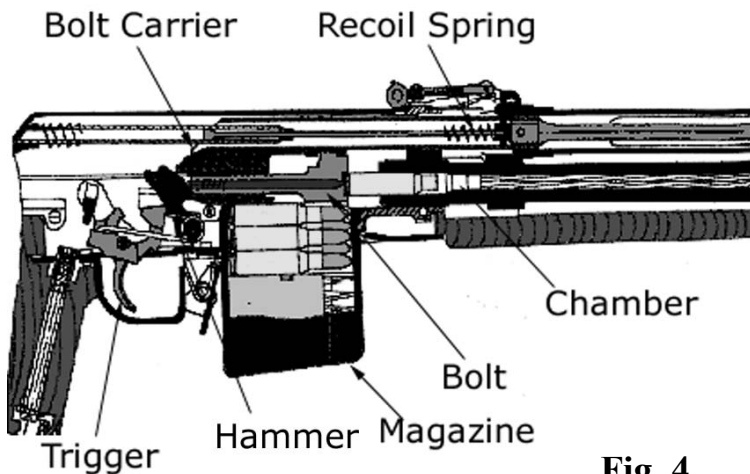
As the *bullet* passes the *gas port* in the barrel, some of the *gasses* are forced through the port into the *gas block*. The *gas block* diverts the *gasses* into the *gas tube* allowing them to impinge upon the *piston* of the *bolt carrier* forcing it to the rear of the firearm against the force of the *recoil spring* (See Fig.3).



**Fig. 3**

As *bolt carrier* is forced to the rear, a camed slot in its underside engages the camming lug of the *bolt* causing it to rotate. The rotation of the *bolt* causes the locking lugs of the *bolt* to rotate out of engagement with locking recesses of the *receiver*. The *bolt* is now unlocked and may travel to the rear of

the *receiver* with the *bolt carrier* (See Fig 4). As the *bolt carrier* and *bolt* travel further to the rear of the firearm, the extractor which is engaging the rim of the *cartridge case* pulls the empty *cartridge* from the *chamber*. As the *bolt* carrying the empty *cartridge* passes the ejector, the spent case is forced out of the grip of the extractor and is ejected from the right side of the firearm. During the *bolt carrier's* rearward movement, the *hammer* is rotated against the force of its spring into engagement with the *trigger* (See Fig.4).



**Fig. 4**

As the *bolt carrier* with its *bolt* reaches the rear limit of its travel, the compressed *recoil spring* forces the *bolt carrier* and *bolt* forward. As the *bolt* passes the rear of the *magazine*, a new *cartridge* is forced from the *magazine* into the *chamber*. Simultaneously, the extractor is forced over the rim of the new *cartridge case* and the lugs of the *bolt* are rotated into engagement with the recesses in the firearm's *receiver*. The *bolt carrier* continues forward until it reaches its forward limit. One complete cycle has now been completed and the firearm is ready to be fired again by pulling the *trigger*.



## SECTION IV - LOADING THE VEPR

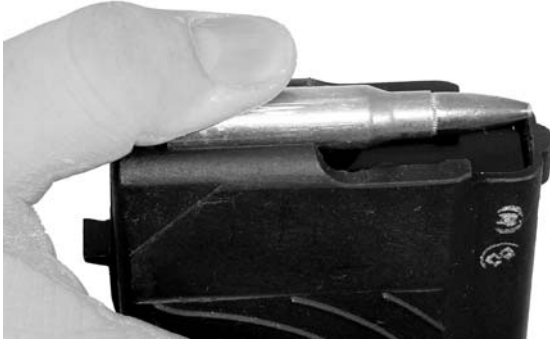
**WARNING!!! USE ONLY NEW, UNDAMAGED, COMMERCIAL GRADE AMMUNITION MEETING SAAMI SPECIFICATIONS OF THE PROPER CALIBER WITH YOUR VEPR. THE CALIBER OF YOUR VEPR IS INDICATED ON THE RIGHT SIDE OF THE *RECEIVER* UNDER THE *BOLT CARRIER* (SEE THE EXAMPLE IN FIG. 5 BELOW). FAILURE TO USE THE PROPER AMMUNITION COULD CAUSE DEATH OR SERIOUS BODILY INJURY TO THE OPERATOR AND BYSTANDERS AS WELL AS DAMAGE TO PROPERTY.**



**Fig. 5**

Before loading the VEPR, inspect the bore of the *barrel* for any obstructions. **WARNING!!! FIRING THE VEPR WITH ANY OBSTRUCTION IN THE BARREL MAY RESULT IN DEATH OR SERIOUS BODILY INJURY TO THE OPERATOR AND BYSTANDERS. BEFORE INSPECTING THE BORE, MAKE SURE THE *MAGAZINE* HAS BEEN REMOVED AND THE *CHAMBER* IS EMPTY. (REFER TO SECTION VII FOR THE PROCEDURE TO REMOVE THE *MAGAZINE* AND CHECK THE *CHAMBER*.)** It is recommended that you remove the *bolt carrier* from the firearm before inspecting the bore. (To remove the *bolt carrier*, please see the Disassembly Procedures in Section VIII of this manual).

1. Load a *magazine* by taking it into your hand, and using the thumb of your other hand, force one live cartridge into the *magazine* at a time. (See Fig. 5 Below.) Continue this process until you have loaded the correct number of cartridges into the magazine. Do not try to exceed the magazine's capacity. If your rifle has trouble stripping the first round from the magazine, omit one round.



2. Engage the safety by moving the *safety lever* to the safe position as indicated by the letter "S" (See Fig.6).



**Fig. 6**

3. Having loaded a *magazine*, insert the front of the *magazine* into the *receiver* at an angle. Next rotate the rear of the *magazine* up into the *receiver* until the *magazine release lever* engages the catch on the rear of the *magazine* (See Fig. 7).



**Fig. 7**

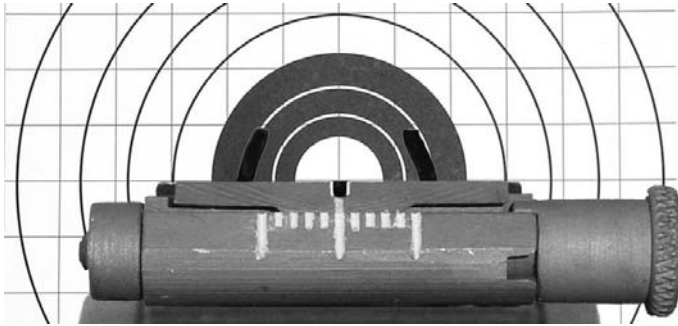
4. Disengage the safety by moving the *safety lever* to the fire position indicated by the letter “F” (See Fig. 8). Keeping the rifle pointed in a safe direction, pull the *charging handle* to its rear-most position then release it. The rifle now has a live cartridge in the chamber and is ready to fire. Next, engage the safety by moving the *safety lever* to the safe position as indicated by the letter “S” (See Fig. 6).



**Fig. 8**

## SECTION V - AIMING THE VEPR

1. Align the *sight post* of the *front sight* with the squared notch of the *rear sight* so that the top of the *front sight post* is level with the top plane of the *rear sight*. Make sure that the space on either side of the *front sight post* is equal. Place the center of the target on top of the *front sight post* as shown in Fig. 9 below.



2. Sight adjustments for zeroing are made by screwing the front sight post up and down for elevation. For windage adjustments, the cylinder containing the front sight should be moved gradually in the desired direction using an AK47 sight adjustment tool or by tapping it lightly using a brass punch.
3. The *rear sight* has an elevation adjustment from 100 to 300 meters. This adjustment is made by pushing in the button on the side of the elevation adjustment slide while moving it to the desired elevation. The rear sight is also adjustable for windage. Windage adjustment is made by pulling out on the windage adjustment knob while rotating it to the desired setting.



**Fig. 10**

## SECTION VI - FIRING THE VEPR

**WARNING!!! ALWAYS ASSUME A STABLE SHOOTING POSITION, CLEARLY IDENTIFY YOUR TARGET, AND HAVE AN ADEQUATE BACK STOP BEFORE PLACING YOUR FINGER ON THE TRIGGER.**

**WARNING!!! IF THE RIFLE FAILS TO FIRE A PROPERLY CHAMBERED CARTRIDGE, YOU MAY HAVE EXPERIENCED A “HANG FIRE”, A DELAYED DISCHARGE OF THE CARTRIDGE. KEEP THE RIFLE POINTED IN A SAFE DIRECTION AT ALL TIMES AND DO THE FOLLOWING: WAIT 30 SECONDS, THEN PULL THE CHARGING HANDLE TO ITS REARMOST POSITION TO EXTRACT AND EJECT THE MALFUNCTIONING CARTRIDGE. RELEASE THE CHARGING HANDLE TO CHAMBER A NEW CARTRIDGE. IF THE RIFLE FAILS TO FIRE AGAIN, UNLOAD THE RIFLE AND HAVE IT INSPECTED BY A COMPETENT GUNSMITH.**

1. With your finger placed completely outside the *trigger guard*, disengage the safety by moving the *safety lever* to the fire position as indicated by the letter “F” (See Fig. 11). The rifle is now ready to fire.



**Fig. 11**

2. With the target clearly in your sights, place your finger on the *trigger* (See Fig.12). Keeping your intended target within the sights at all times, slowly and gently squeeze the *trigger* until the rifle discharges. If your sights move off the target during the *trigger* pull, release the *trigger* immediately. You may begin pulling the *trigger* again when your target is within your sights.



**Fig. 12**

3. The procedure described above may be repeated until the rifle is empty. When finished firing the rifle, engage the safety by moving the *safety lever* to the safe position as indicated by the letter "S". (See Section IV, Paragraph 2). When finished shooting follow the unloading procedure described in Section VII.

## SECTION VII – UNLOADING THE VEPR

**WARNING!!! THE RIFLE MAY STILL BE LOADED EVEN THOUGH THE MAGAZINE IS REMOVED. THERE MAY STILL BE A ROUND IN THE CHAMBER WHICH COULD BE DISCHARGED IF THE TRIGGER IS PULLED.**

1. Remove the *magazine* from the rifle by depressing the *magazine release lever* with your thumb (See Fig.13) while simultaneously rotating the rear of the *magazine* down and away from the rifle, completely removing it from the *receiver* (See Fig.14).



**Fig. 13**



**Fig. 14**

2. While keeping the rifle pointed in a safe direction, disengage the safety by moving the *safety lever* to the fire position as indicated by the letter “F” and pull the *charging handle* to its rearmost position. While holding the *charging handle* at its rearmost position, inspect the *chamber* to make certain that no round is present in the *chamber* (See Fig. 15). **WARNING!!! PULLING THE CHARGING HANDLE TO THE REARMOST POSITION SHOULD EJECT ANY CARTRIDGE FROM THE CHAMBER, HOWEVER, THIS IS NOT ALWAYS THE CASE. ALWAYS VISUALLY INSPECT THE CHAMBER TO MAKE SURE NO ROUND IS PRESENT.**
3. After visually inspecting the *chamber* and finding no round is present, release the *bolt carrier*. Keeping the firearm pointed in a safe direction pull the trigger to release the hammer. Next, engage the safety by moving the *safety lever* to the safe position as indicated by the letter “S”. (See Section IV, Paragraph 20.). The rifle is now ready for safe transportation.



**Fig. 15**



## SECTION VIII - DISASSEMBLY PROCEDURES

**WARNING!!! ADEQUATE EYE PROTECTION SHOULD ALWAYS BE WORN WHILE DISASSEMBLING ANY FIREARM AS SPRING LOADED PARTS MAY JUMP FROM THE FIREARM AND MAY CAUSE PERMANENT VISION LOSS OR OTHER SERIOUS DAMAGE.**

1. Remove the *magazine* from the rifle and make sure no round is present in the chamber as described in Section VII – Unloading the VEPR.
2. Move the *safety lever* to the safe position (See Section IV – Loading the VEPR) .
3. Remove the *receiver cover* by depressing the *recoil guide button* (located at the rear of the receiver) with one hand while simultaneously lifting the *receiver cover* up and to the rear with the other hand (See Fig.16).



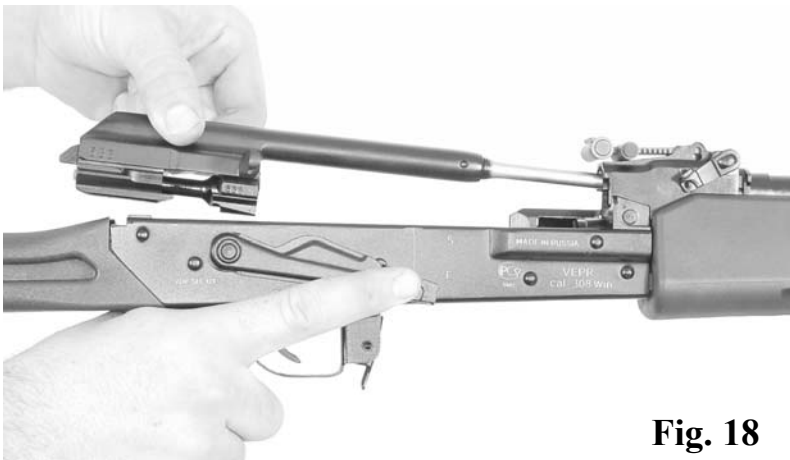
**Fig. 16**

4. Remove the *recoil guide and spring* by pushing it forward to disengage the tongue from the slot in the back of the *receiver*. Once clear of the slot, the receiver guide and spring may be pulled up and out of the *bolt carrier* and *receiver* (See Fig.17).



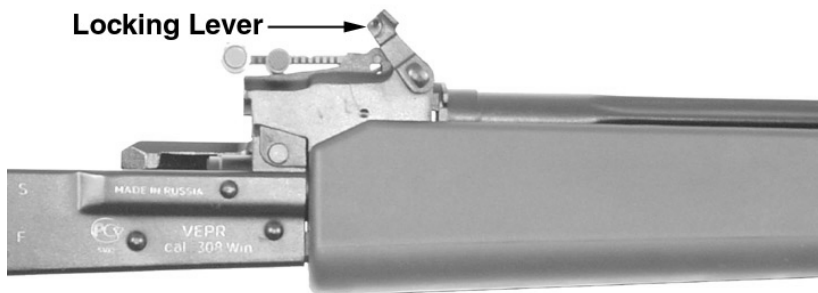
**Fig. 17**

5. Remove the *bolt carrier* from the *receiver* by pulling it towards the rear of the *receiver*. Slots cut in the rear of the *receiver* allow the *bolt carrier* to be lifted up and out of the *receiver* (See Fig. 18).



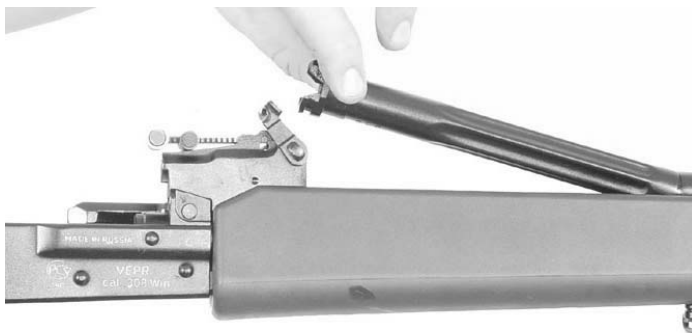
**Fig. 18**

5. Remove the *gas tube* by rotating the *locking lever* (located in front of the *rear sight*) to the upward position. (See Fig. 19). The storage tube of the cleaning kit which comes with the rifle has a slot in its side. This slot fits on the locking lever and can be used to rotate the locking lever without marring the firearm.



**Fig. 19**

6. Grip the *gas tube* and lift it up and away from the *receiver* (See Fig. 20)



**Fig. 20**

**WARNING! FURTHER DISSASSEMBLY SHOULD ONLY BE PERFORMED BY A COMPETENT GUNSMITH.**

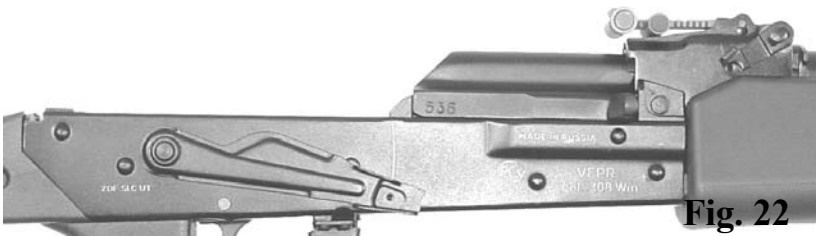
## SECTION IX - ASSEMBLY PROCEDURES

**WARNING!!! ADEQUATE EYE PROTECTION SHOULD ALWAYS BE WORN WHILE ASSEMBLING ANY FIREARM AS SPRING LOADED PARTS MAY JUMP FROM THE FIREARM DURING THIS PROCEDURE AND MAY CAUSE PERMANENT VISION LOSS.**

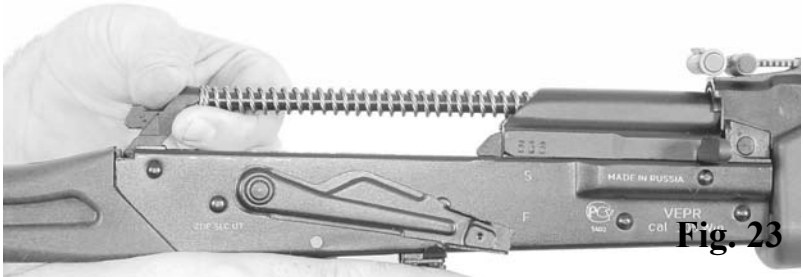
1. Attach the *gas tube* to the *receiver* by sliding its forward opening over the *gas block* on the *barrel*. Move the *gas tube* down and into engagement with the *receiver*. Once properly aligned, the *locking lever* may be rotated to its down and locked position (See Fig.21).



2. Attach the *bolt carrier* into the *receiver* by inserting the *gas piston* into the *gas tube*. Next lower the rear of the *bolt carrier* so that it aligns with its slot in the *receiver*. (Note: the bolt must be rotated so that it is in its fully unlocked position while lowering the *bolt carrier* into the *receiver*.) Now slide the *bolt carrier* to its forward-most position (See Fig.22).



3. Insert the front of the *recoil spring guide* into the hole in the rear of the *bolt carrier*. Push the *recoil spring guide* forward, moving the tongue of its rear portion down and into alignment with its slot on the back of the *receiver*. Release the *recoil spring guide* so that it fully engages the *receiver* (See Fig.23)



4. Replace the receiver cover by inserting its forward end into its slot in the *receiver* (located just behind and beneath the *rear sight*). Push the rear of the *receiver cover* down over the rear of the *recoil spring guide* until the rear of the *recoil spring guide* button locks the *receiver cover* into place (See Fig.24).



## SECTION X - CLEANING AND LUBRICATION

**WARNING!!! DO NOT USE HARSH BORE CLEANERS TO CLEAN THE OUTSIDE OF THE BARREL OR TO OIL THE STOCK. USE ONLY LIGHT OIL TO CLEAN THESE PARTS. HARSH CLEANERS MAY HURT THE FINISH OF THESE PARTS.**

The rifle should be cleaned and lubricated after firing, long storage or exposure to dirt and moisture. For complete cleaning the rifle should be field stripped. Before cleaning, the rifle should be unloaded (see SECTION VII) and disassembled (see SECTION VIII).

A cleaning kit is included with your rifle. The kit supplied is not comprehensive. Additional supplies such as patches, brushes, etc. will be required for complete and comprehensive cleaning.

Using a cleaning rod and brush, saturate the brush with a commercial gun cleaning solvent and run the brush through the *barrel* and *chamber*. Repeat this process several times. Remove the brush and run a dry patch through the *barrel* and *chamber*. Next alternate running patches soaked with gun cleaning solvent and dry patches through the *barrel* and *chamber*. Repeat this process until the *barrel* and *chamber* are clean. Once clean, run a patch with light oil through the *barrel* and *chamber*.

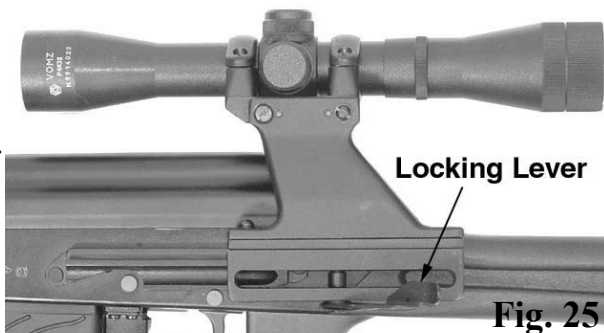
Do not use grease or heavy oil in the *barrel* unless the rifle will be stored for a long period. It is necessary to remove all heavy deposits of oil and grease from the barrel before attempting to use the rifle. Before attempting to fire the rifle, carefully follow the barrel inspection and loading procedures outlined in SECTION IV. The *bolt* and *bolt carrier* should

be cleaned using a brush dipped in solvent. A light film of gun oil should be applied for protection and lubrication. The *gas tube* and *gas piston* should be cleaned and dried but not oiled.

## SECTION XI - ATTACHING THE SCOPE MOUNT

A scope mount and Scope may be purchased separately as accessories from Robinson Armament Co. The standard scope mount for the VEPR includes 26mm rings. Spacers are provided for use with one inch scopes. With your scope securely installed in the rings, open the locking lever of the scope mount by swinging it away from the base of the mount until it stops. See Fig. 25.

Carefully align the dovetail groove of the scope mount with the rail of the rifle receiver starting at the rear as shown in Fig. 25



**Fig. 25**

Slide the scope mount forward as far as it will go. Swing the locking lever forward until it is flush with the scope base. See Fig. 26.



**Fig. 26**

## SECTION XII - CHILD SAFETY LOCK

**WARNING! USE OF THE CHILD SAFETY LOCK DOES NOT GUARANTY THAT THE FIREARM WILL NOT BE MISUSED. KEEP YOU FIREARMS LOCKED UP IN A SECURE PLACE OUT OF SIGHT.**

Your new rifle has been provided with a child safety lock. Install the lock as follows:

1. Pull back the *charging handle* as far as it will go and hold it.
2. Thread the cable of the lock through the ejection port and down through the magazine well as shown in Fig. 27.
3. Push the cable into the lock firmly and verify that it is secure by giving a tug on the cable.
4. While holding onto the charging handle, let the charging handle go forward slowly until it stops. NOTE: Letting go of the charging handle allowing it to slam forward may damage the cable of the child safety lock.
5. Place the key where only you have access.



**Fig. 27**



## **SECTION XIII - MODIFICATIONS**

**WARNING!!! THE MODIFICATION OF ANY PART OF THE FIREARM MAY RESULT IN DEATH, SERIOUS BODILY INJURY, AND DAMAGE TO PROPERTY.**

**THIS FIREARM, AS CONFIGURED (WITH A US MADE TRIGGER, DISCONNECT, BUTTSTOCK, PISTOL GRIP, AND HAND-GUARD) MEETS CURRENT FEDERAL LAW. THE ADDITION, MODIFICATION, OR SUBSTITUTION OF ANY PART OR PARTS OF THE FIREARM MAY BE ILLEGAL. CONSULT YOUR OWN LEGAL COUNSEL BEFORE MODIFYING YOUR RIFLE.**

## **SECTION XIV - SPECIFICATIONS**

### **GENERAL SPECIFICATIONS**

Semiauto Action	Kalashnikov, Gas Operated, Rotating Bolt
Receiver	RPK Type with Extra Reinforcement
Front Sight	Post, Adjustable for Windage & Elevation
Rear Sight	Notch, Adjustable for Windage & Elevation
Safety	Flag Type
Furniture	Glass Reinforced Composite
Scope Mounting	Side Rail for Quick Attach Scope Mounting.

### **VEPR™ II .308 RIFLE SPECIFICATIONS**

Caliber	.308 Win. (7.62x51mm)
Barrel	20.5" (520mm) Long, Chrome-Lined, Hammer-Forged
Overall length	39.75" (1010mm)
Weight	9.0 lbs. (4500 grams)
Feeding Devices	5 and 10 Round VEPR Magazines

## **VEPR™ II & K .223 RIFLE SPECIFICATIONS**

Caliber	.223 Rem. (5.56x45mm)
Barrel	20.5" or 16.5"(Long, Chrome-Lined, Hammer-Forged, 1 in 9")
Overall length	39.75" or 35.75"
Weight	9.2 lbs. or 8.8 lbs.
Feeding Devices	30 Round .223 Magazine, Proprietary.

## **VEPR™ II & K 7.62x39mm RIFLE SPECIFICATIONS**

Caliber	7.62x39mm Russian
Barrel	20.5" or 16.5" Long, Chrome-Lined, Hammer-Forged
Overall length	39.75" or 35.75"
Weight	8.9 lbs. or 8.2 lbs.
Feeding Devices	30 Round AK47 Magazines and Drums

## **VEPR™ II or K 5.45x39mm RIFLE SPECIFICATIONS**

Caliber	5.45x39mm Russian
Barrel	20.5" or 16.5" Long, Chrome-Lined, Hammer-Forged
Overall length	39.75" or 35.75"
Weight	9.2 lbs. or 8.8 lbs.
Feeding Devices	30 Round AK74 Magazines

